

SDS0604K SERIES ~ High Current Power Inductors



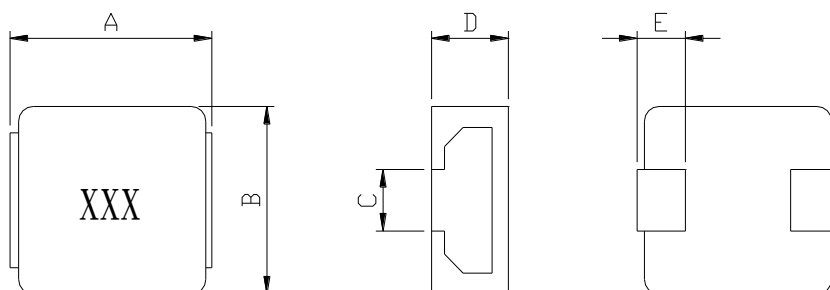
PART NUMBERING SYSTEM

SEP	0604K	—	1R5M	—	LF
TYPE	DIMENSIONS		INDUCTANCE		LEAD FREE

FEATURES :

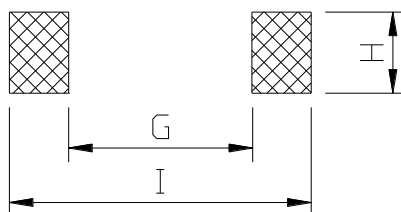
- Magnetically shielded and low DC resistance .
- Suitable for large current .
- Ideal for DC – DC converter inductor application in hand help personal Computer ,etc .
- Frequency range up to 5MHZ .
- Lead Free with RoHS compliant .

SHAPES AND DIMENSIONS :



A=7.3 Max. B=6.67 Max. C=3.0±0.2 D=4.0 Max. E=1.27±0.3 UNIT : mm

RECOMMENDED PATTERNS



H=3.5 G= 3.8 I = 8.0 UNIT : mm

SDS0604K SERIES ~ High Current Power Inductors

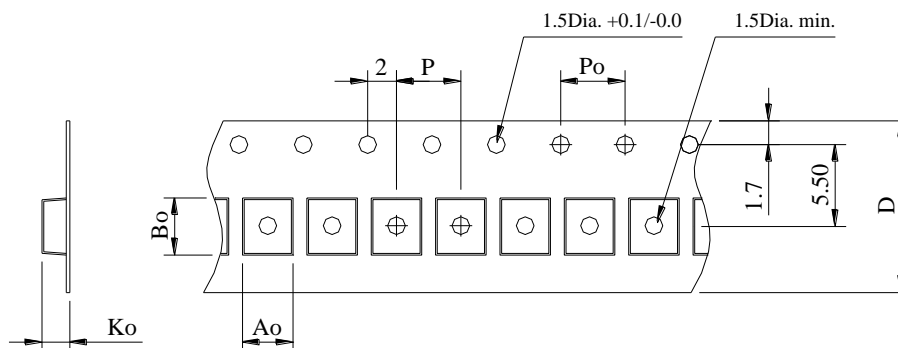


SPECIFICATION TABLE

PART NUMBER	INDUCTANCE (μ H)	Isat (A) (Typ.)	Irms (A) (Typ.)	DCR (m Ω) (Max.)	TEST FREQ. (f)
SEP0604K-R47M-LF	0.47 \pm 20%	22.0	20.0	3.0	100KHz/0.1V
SEP0604K-R68M-LF	0.68 \pm 20%	20.0	18.0	5.0	100KHz/0.1V
SEP0604K-R82M-LF	0.82 \pm 20%	18.0	16.0	6.5	100KHz/0.1V
SEP0604K-1R0M-LF	1.0 \pm 20%	17.0	14.0	7.0	100KHz/0.1V
SEP0604K-1R5M-LF	1.5 \pm 20%	15.0	12.0	8.5	100KHz/0.1V
SEP0604K-2R2M-LF	2.2 \pm 20%	13.0	10.0	17.0	100KHz/0.1V
SEP0604K-3R3M-LF	3.3 \pm 20%	11.0	9.0	27.0	100KHz/0.1V
SEP0604K-4R7M-LF	4.7 \pm 20%	9.0	7.0	35.0	100KHz/0.1V
SEP0604K-6R8M-LF	6.8 \pm 20%	8.0	6.0	45.0	100KHz/0.1V
SEP0604K-8R2M-LF	8.2 \pm 20%	7.0	5.0	60.0	100KHz/0.1V
SEP0604K-100M-LF	10 \pm 20%	6.0	4.0	70.0	100KHz/0.1V

- Isat : DC current at which the inductance drops 20% (typ) from its value without current.
- I rms : Average current for a 40°C temperature rise above 25°C ambient.
- Operating temperature range -55°C to +125°C , Electrical specifications at 25°C.

PACKAGING SPECIFICATION



STAYLE	Q'TY (PCS)	DIMENSIONS (m/m)					
		Ao	Bo	Ko	P	Po	D \pm 0.3
13"	1,000	7.2	7.0	4.4	12	4.0	16